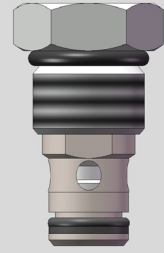


Check Valve (High Pressure)

Type: HCV10-P1

Operating pressure: 420 bar (6000 psi)
Proof pressure: 630 bar (9000 psi)
Flow: 160 L/min



Description

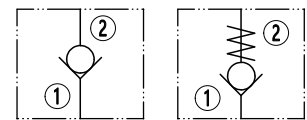
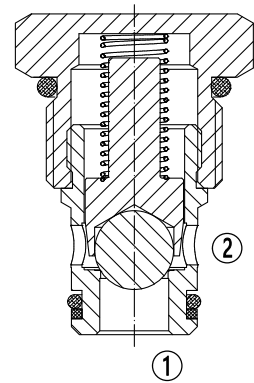
A screw-in, cartridge-style, poppet-type, ball seat hydraulic check valve for blocking or load-holding device.

Operation

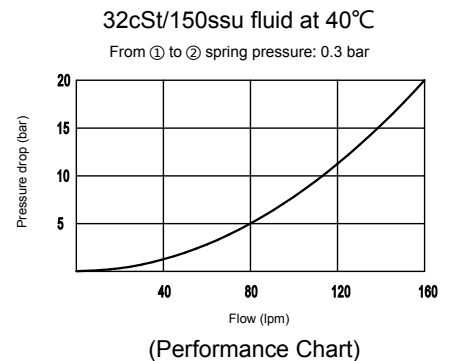
HCV10-P1 allows flow from ① to ②, and block flow in the opposite direction. The cartridge has a fully guided poppet which is spring-biased closed until sufficient pressure is applied at ①, allowing fluid flow from ① to ②.

Technical Data

Operating pressure	420 bar (6000 psi)
Proof pressure	630 bar (9000 psi)
Flow	See Performance Chart
Internal Leakage	0.15 ml/min (3 drops/min) max. at 420 bar (6000 psi)
Crack pressure defined:	Gauge bar evident at ① at 16.4 ml/min (1cu.in./min) attained
Standard bias spring at crack	0.3 bar (4 psi) / 1 bar (15 psi) / 2 bar (29 psi) / 4 bar (58 psi) / 5 bar (73 psi) / 10 bar (145 psi) / 20 bar (290 psi)
Temperature range	-40°C ~ 120°C with standard buna seals -26°C ~ 204°C with fluorocarbon seals -54°C ~ 107°C with polyurethane seals
Fluids	Mineral based or synthetics with lubricating properties at viscosities of 7.4~420cSt (50-2000ssu)
Installation	No restriction
Cavity	VC10-2
Cavity tool	T10-2RC (Rough), T10-2FM (Finishing)
Seal kit	SK10-2N-B



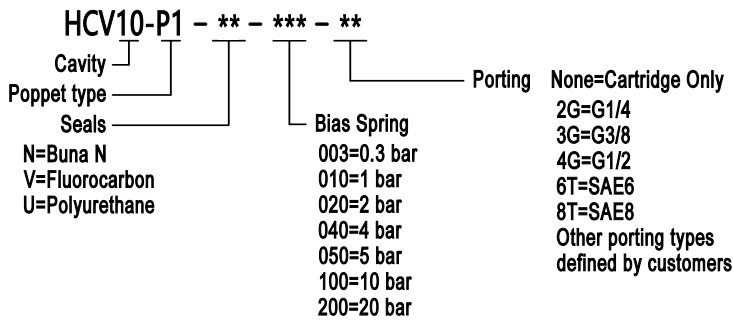
(Symbol-USASI) (Symbol-ISO)



Features

- Optional bias springs for back-pressure application flexibility.
- Fully guided poppet.
- Hardened seat for long life and low leakage.
- Compact size.
- Industrial general cavity.
- Quick closing.

Ordering Code



Materials

Cartridge: Weight: 0.08 kg (0.18 lbs) ; Steel with hardened working surfaces and zinc-plated exposing surfaces ; Buna N O-rings and back-up (standard) .

Standard ported body: Weight : 0.16 kg (0.35 lbs) ; Anodized high-strength 6061 T6 aluminum alloy, rated to 250 bar (3600 psi).

Others:Ductile iron bodies and steel bodies available. Dimensions may differ. Contact after sale.

Dimensions

