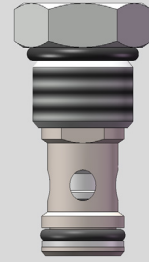


Check Valve

Type: CV12-P0

Operating pressure: 350 bar (5000 psi)
Proof pressure: 520 bar (7400 psi)
Flow: 95 L/min



Description

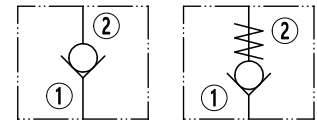
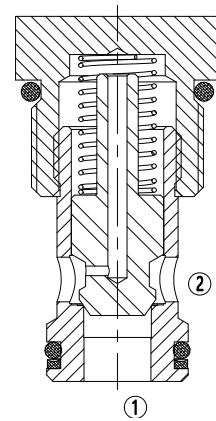
A screw-in, cartridge-style, hydraulic check valve for blocking or load-holding device.

Operation

CV12-P0 allows flow from ① to ②, and block flow in the opposite direction. The cartridge has a fully guided poppet which is spring-biased closed until sufficient pressure is applied at ①, allowing fluid flow from ① to ②.

Technical Data

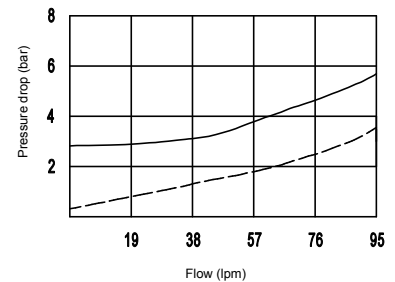
Operating pressure	350 bar (5000 psi)
Proof pressure	520 bar (7400 psi)
Flow	See Performance Chart
Internal Leakage	0.25 ml/min (5 drops/min) max. at 350 bar (5000 psi)
Crack pressure defined	Gauge bar evident at ① at 16.4 ml/min (1cu.in./min) attained
Standard bias spring at crack	0.3 bar (4 psi) / 1.5 bar (22 psi) / 2.7 bar (39 psi) / 3.8 bar (55 psi) / 5 bar (73 psi) / 10 bar (145 psi)
Temperature range	-40°C ~ 120°C with standard buna seals -26°C ~ 204°C with fluorocarbon seals -54°C ~ 107°C with polyurethane seals
Fluids	Mineral based or synthetics with lubricating properties at viscosities of 7.4~420cSt (50-2000ssu)
Installation	No restriction
Cavity	VC12-2
Cavity tool	T12-2RC (Rough), T12-2FM (Finishing)
Seal kit	SK12-2N-B



(Symbol-USASI) (Symbol-ISO)

32cSt/150ssu fluid at 40°C

— From ① to ② spring pressure: 2.7bar
--- From ① to ② spring pressure: 0.3bar

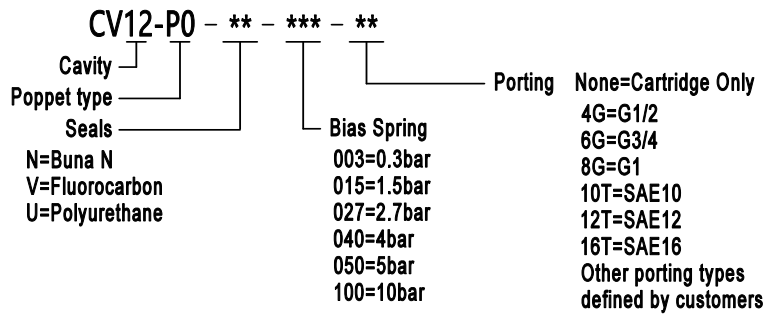


(Performance Chart)

Features

- Optional bias springs for back-pressure application flexibility.
- Fully guided poppet.
- Hardened seat for long life and low leakage.
- Compact size.
- Industrial general cavity.
- Quick closing.

Ordering Code



Materials

Cartridge: Weight: 0.18 kg (0.40 lbs) ; Steel with hardened working surfaces and zinc-plated exposing surfaces ; Buna N O-rings and back-up (standard) .

Standard ported body: Weight : 0.57 kg (1.25 lbs) ; Anodized high-strength 6061 T6 aluminum alloy, rated to 250 bar (3600 lbs).

Others: Ductile iron bodies and steel bodies available. Dimensions may differ. Contact after sale.

Dimensions

